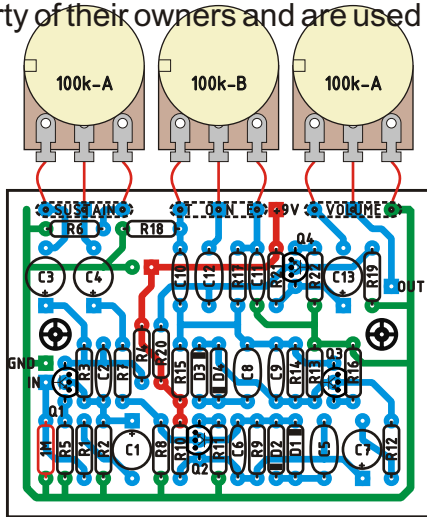


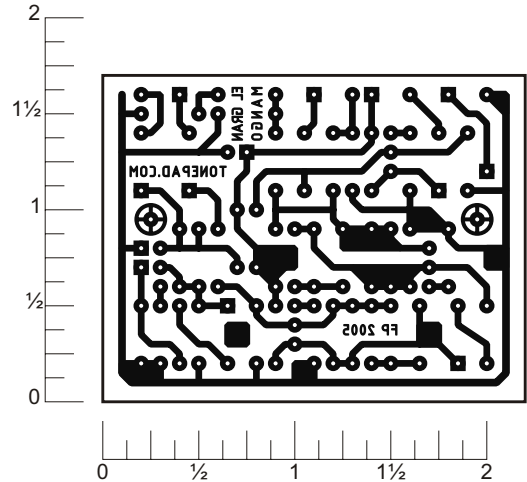
GRAN MANGO 3.1416

Rev.1.Jun.14.2005

You can build the Big Muff Pi and many of its variants on this layout. Markings for polarized capacitors can be ignored if using non polarized ones. Different diodes can be used for D1-D4 including LEDs. Off board components except for the potentiometers are not shown on the layout. Check out our "offboard wiring" project page at tonepad.com for offboard wiring options. Trademarks remain property of their owners and are used only for reference.



LAYOUT



READY TO TRANSFER

Potentiometers

- 2 - 100k-A (log. taper)
- 1 - 100k-B (linear taper)

Diodes

- 4 - 1N914

Transistors

- 4 - 2N5088

Layout and presentation by Francisco Peña 2001-2005®.
 All rights reserved. Authorization for personal use only.
 any commercial use is forbidden.
 Permission for posting/serving limited to
<http://www.tonepad.com>
 Permission refused for posting from other sites.

Parts List (Stock Big Muff)

Resistors

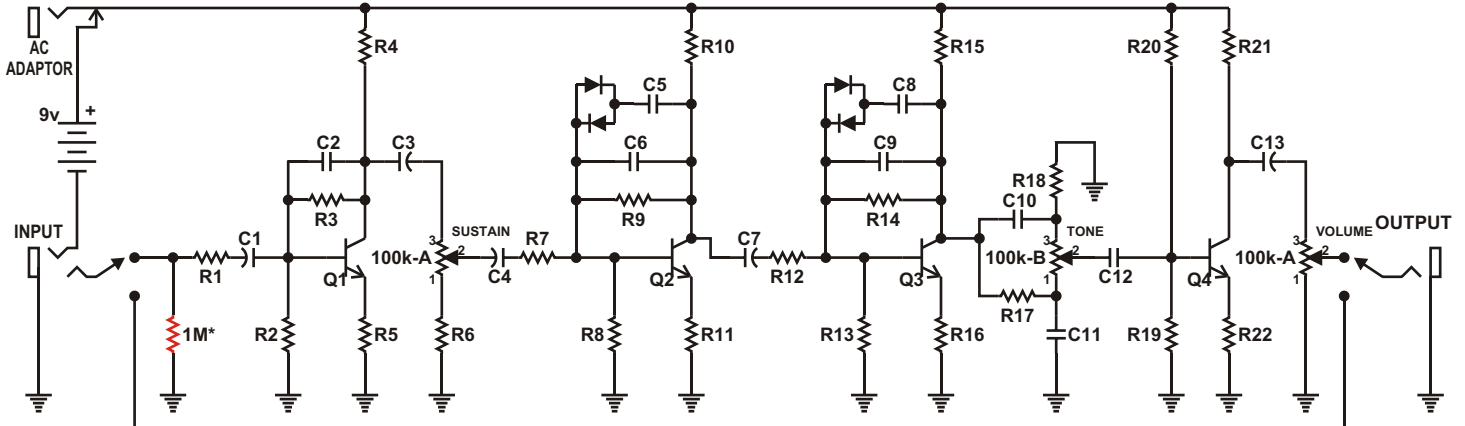
- | | |
|-----------------|------------------|
| R1 - 39k | R12 - 8k2 (8.2k) |
| R2 - 100k | R13 - 100k |
| R3 - 470k | R14 - 470k |
| R4 - 15k | R15 - 15k |
| R5 - 100 ohm | R16 - 100 ohm |
| R6 - 1k | R17 - 39k |
| R7 - 8k2 (8.2k) | R18 - 100k |
| R8 - 100k | R19 - 100k |
| R9 - 470k | R20 - 390k |
| R10 - 15k | R21 - 10k |
| R11 - 100 ohm | R22 - 2k2 (2.2k) |

Capacitors

- C1 - 1 μ F
- C2 - 500pF
- C3 - 1 μ F
- C4 - 1 μ F
- C5 - 0.1 μ F
- C6 - 500pF
- C7 - 1 μ F
- C8 - 0.1 μ F
- C9 - 500pF
- C10 - 0.004 μ F
- C11 - 0.01 μ F
- C12 - 0.1 μ F
- C13 - 1 μ F

*1M resistor is for preventing pops when switching, it was not present in the original circuit

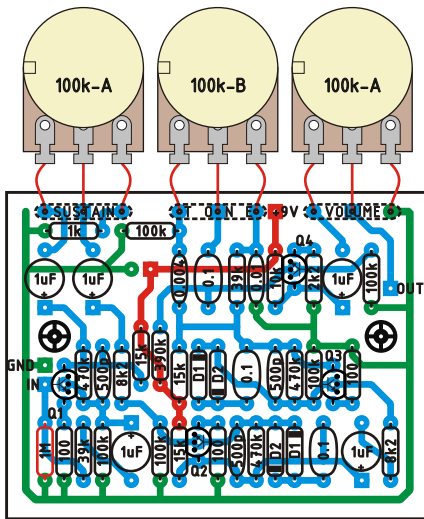
Schematic



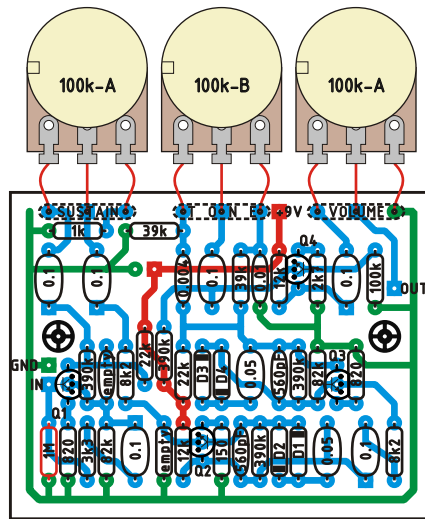
GRAN MANGO 3.1416 VARIANTS

Rev.1.Jun.14.2005

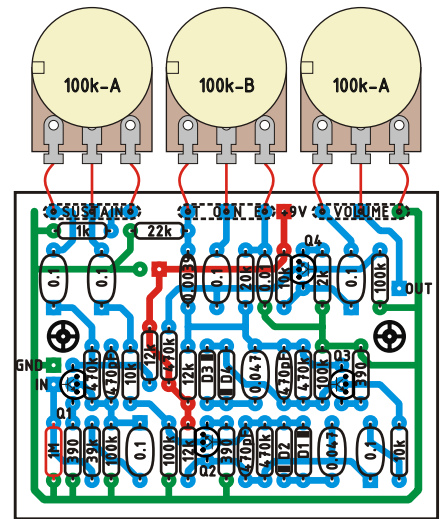
Variants and Mods. Many think the stock big muff has too much bass, these mods fix this by changing the 1uF coupling capacitors to 0.1uF, they also tweak the gain on each of the stages and also the tone stack. Trademarks remain property of their owners and are used only for reference.



LAYOUT (Stock Big Muff)



LAYOUT (Triangle Big Muff)



LAYOUT (Green Big Muff)

Parts List ("Triangle" Big Muff)

Resistors

R1 - 3k3 (3.3k)	R12 - 8k2 (8.2k)
R2 - 82k	R13 - 82k
R3 - 390k	R14 - 390k
R4 - 22k	R15 - 22k
R5 - 820 ohm	R16 - 820 ohm
R6 - 1k	R17 - 39k
R7 - 8k2 (8.2k)	R18 - 39k
R8 - nothing	R19 - 100k
R9 - 390k	R20 - 390k
R10 - 12k	R21 - 12k
R11 - 150 ohm	R22 - 2k7 (2.7k)

Capacitors

C1 - 0.1μF
C2 - nothing
C3 - 0.1μF
C4 - 0.1μF
C5 - 0.05μF
C6 - 560pF
C7 - 0.1μF
C8 - 0.05μF
C9 - 560pF
C10 - 0.004μF
C11 - 0.01μF
C12 - 0.1μF
C13 - 0.1μF

Potentiometers

- 2 - 100k-A (log. taper)
- 1 - 100k-B (linear taper)

Diodes

- 4 - 1N914

Transistors

- 4 - 2N5088

Parts List ("Russian Green" Big Muff)

Resistors

R1 - 39k	R12 - 10k
R2 - 100k	R13 - 100k
R3 - 470k	R14 - 470k
R4 - 12k	R15 - 12k
R5 - 390 ohm	R16 - 390 ohm
R6 - 1k	R17 - 20k
R7 - 10k	R18 - 22k
R8 - 100k	R19 - 100k
R9 - 470k	R20 - 470k
R10 - 12k	R21 - 10k
R11 - 390 ohm	R22 - 2k

Capacitors

C1 - 0.1μF
C2 - 470pF
C3 - 0.1μF
C4 - 0.1μF
C5 - 0.047μF
C6 - 470pF
C7 - 0.1μF
C8 - 0.047μF
C9 - 470pF
C10 - 0.0039μF
C11 - 0.01μF
C12 - 0.1μF
C13 - 0.1μF

Potentiometers

- 2 - 100k-A (log. taper)
- 1 - 100k-B (linear taper)

Diodes

- 4 - 1N914

Transistors

- 4 - 2N5088

Layout and presentation by Francisco Peña 2001-2005©.
 All rights reserved. Authorization for personal use only.
 any commercial use is forbidden.
 Permission for posting/serving limited to
<http://www.tonepad.com>
 Permission refused for posting from other sites.